

Standard B40

Features >>

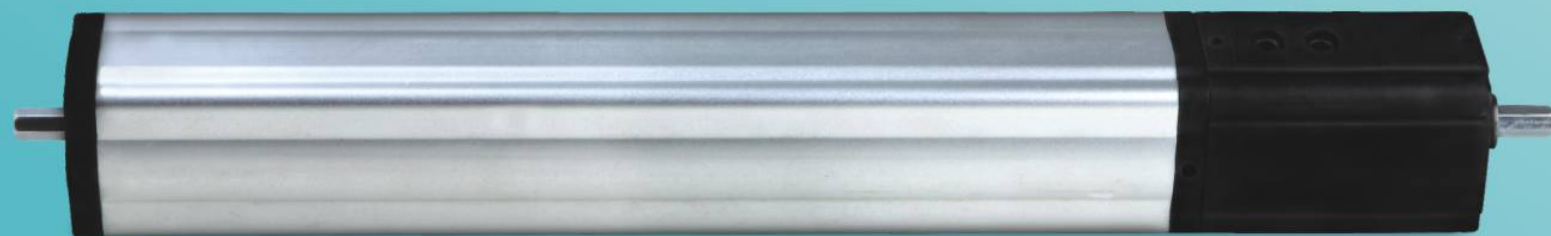
Noiseless DC24V input motor.
Stable mechanical limit system.
Adaptable for wooden venetian blinds, Roman shades ,Austria blinds.
Single/double output shaft are available for 40mm headrail, 50mm headrail.

Parameters >>

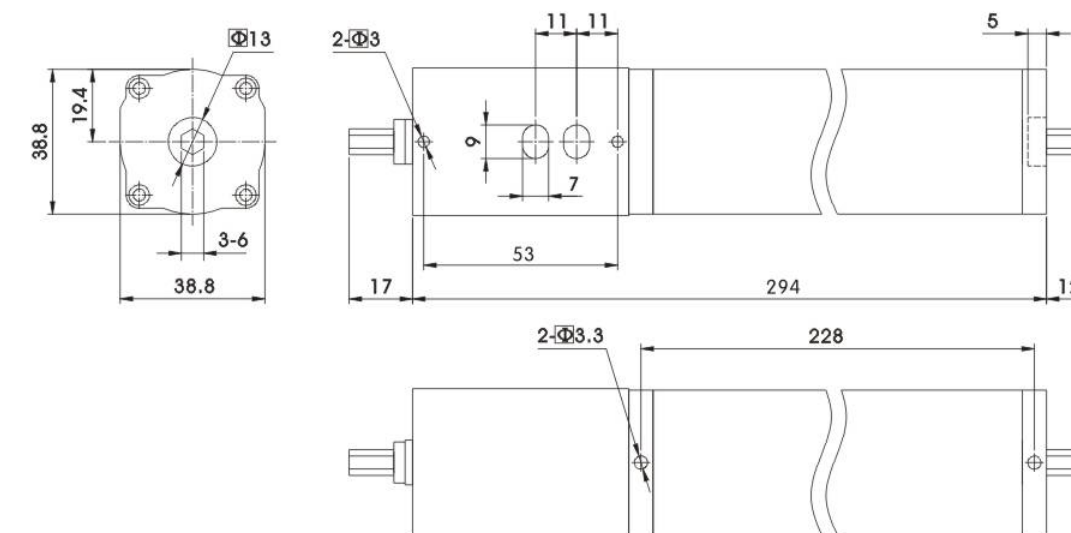
Item No	Product Name	Rated Voltage	Rated Current	Rated Torque	Rated Speed	Protection Index	Net Weight	Running Time
006201	B40	24VDC	0.48A	2×1Nm	28rpm	IP40	0.85Kg	S3 30%

Load Capacity >>

Product Name	Rated Torque	Max.width	Max.drop	Max.pulling capacity
B40	2×1Nm	4m	5m	12Kg



Dimensions >>



Connection diagram >>

