

Standard R26

Features >>

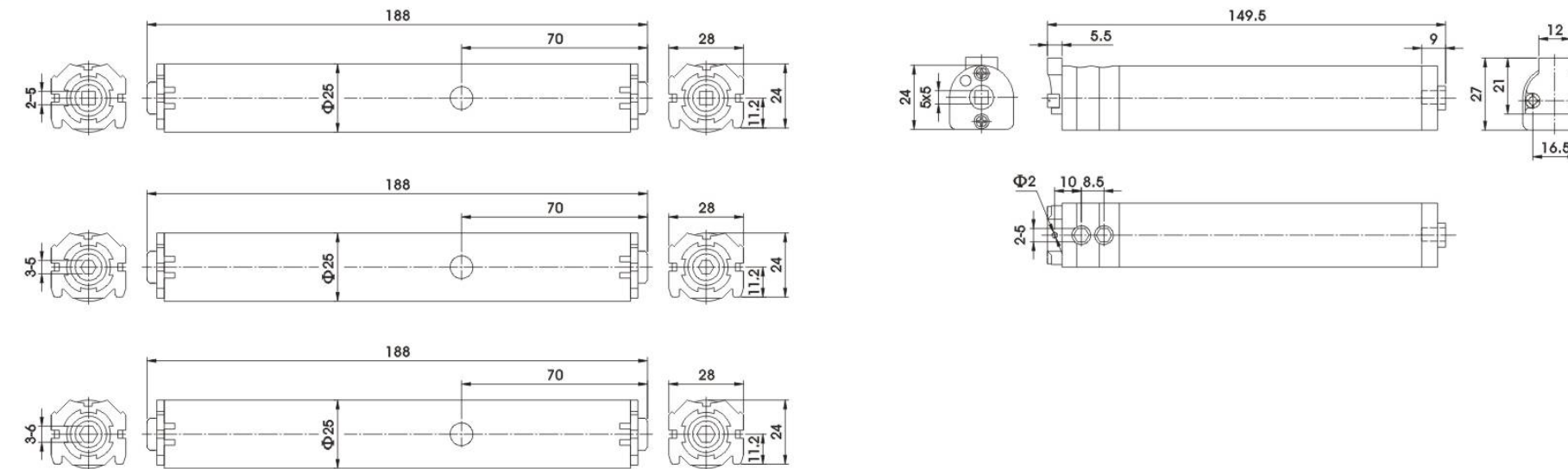
- Φ25 mm diameter ,noiseless DC24V input motor.
- Stable Mechanical limit system can easily set the limit .
- Adaptable for all of various mini roman blinds, cellular blinds.
- Double output shaft are available for installing in the middle position of the rail.

Parameters >>

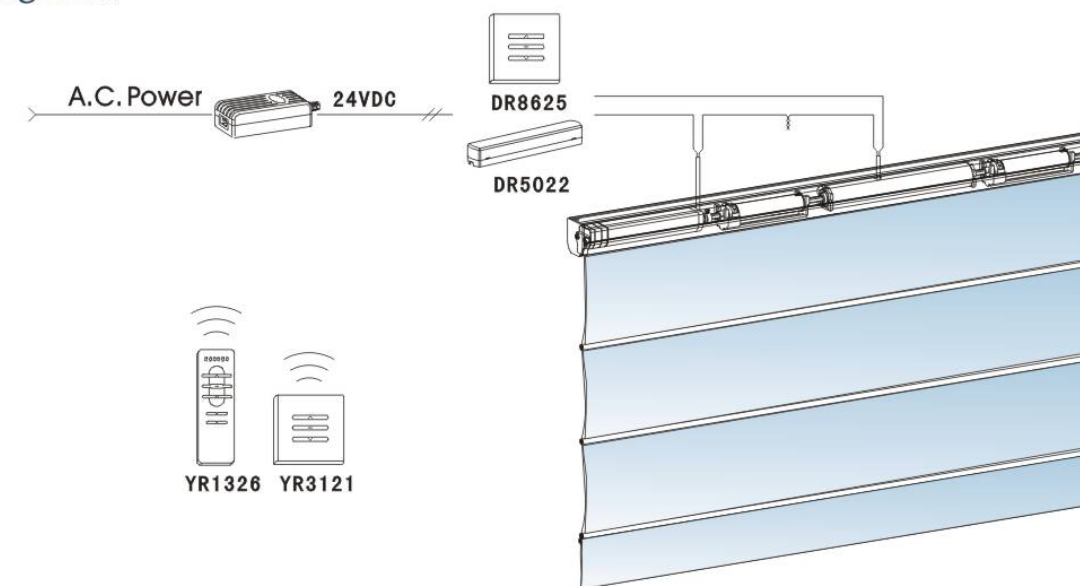
Item No	Product Name	Rated Voltage	Rated Current	Rated Torque	Rated Speed	Max.limit	Protection Index	Net Weight
007024	R26-I	24VDC	0.25A	2×0.7Nm	21rpm	56 Turns	IP40	0.25Kg
007003	R26-II	24VDC	0.25A	2×0.4Nm	42rpm	56 Turns	IP40	0.25Kg



Dimensions >>



Connection diagram >>



Standard B40

Features >>

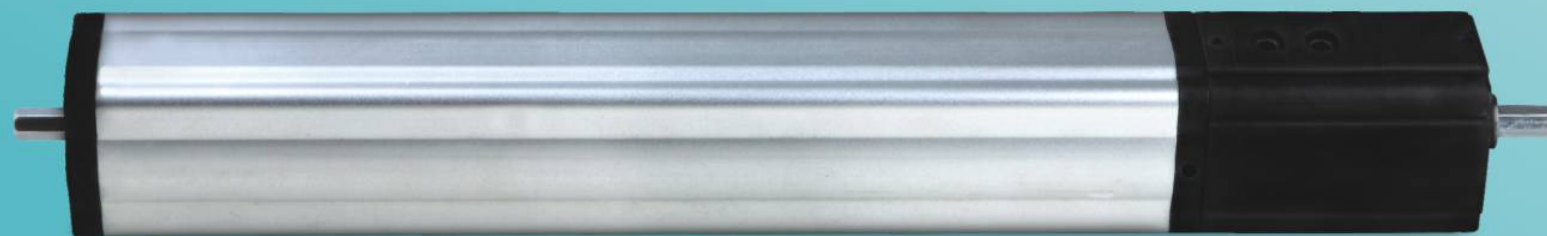
Noiseless DC24V input motor.
Stable mechanical limit system.
Adaptable for wooden venetian blinds, Roman shades ,Austria blinds.
Single/double output shaft are available for 40mm headrail, 50mm headrail.

Parameters >>

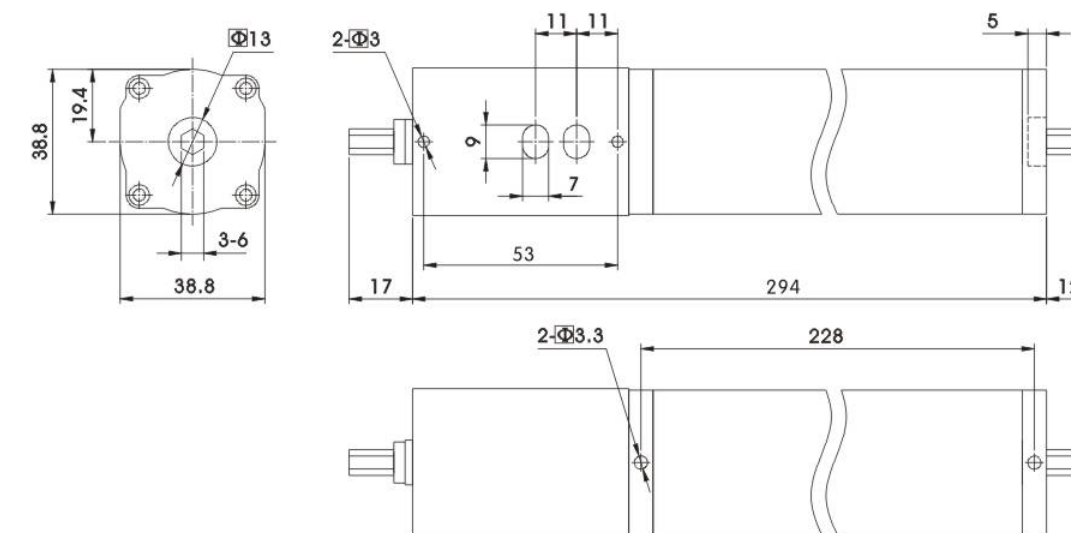
Item No	Product Name	Rated Voltage	Rated Current	Rated Torque	Rated Speed	Protection Index	Net Weight	Running Time
006201	B40	24VDC	0.48A	2×1Nm	28rpm	IP40	0.85Kg	S3 30%

Load Capacity >>

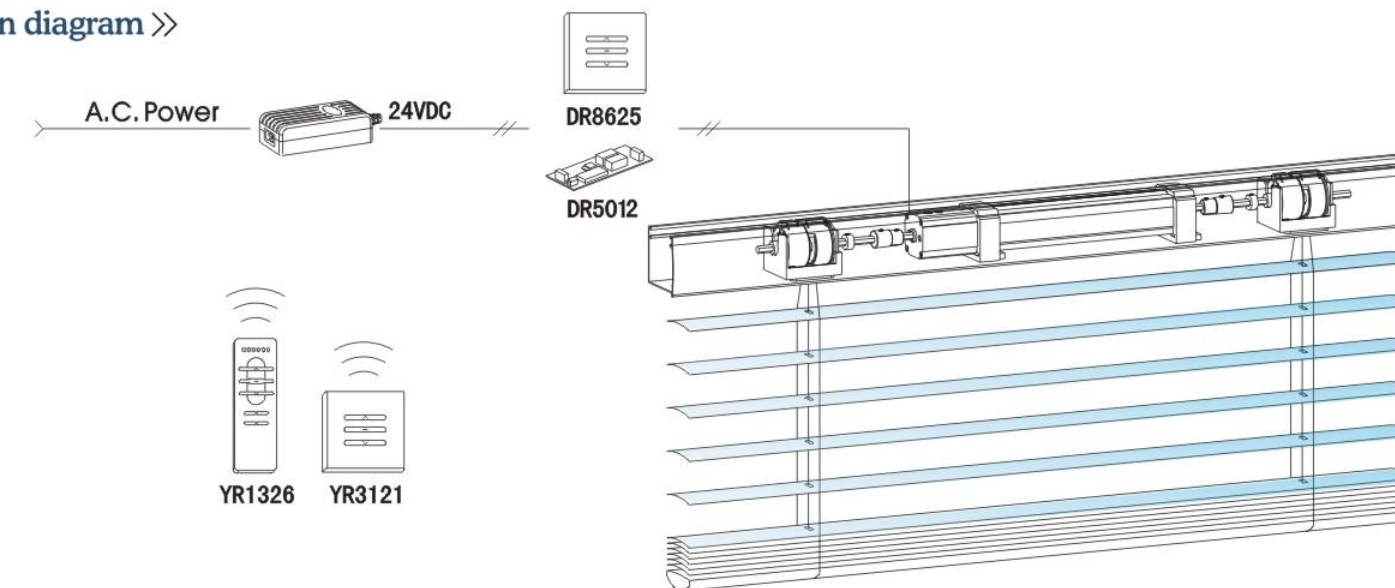
Product Name	Rated Torque	Max.width	Max.drop	Max.pulling capacity
B40	2×1Nm	4m	5m	12Kg



Dimensions >>



Connection diagram >>



Standard B24

Features >>

- Φ24mm diameter, quiet 24VDC motor.
- Mechanical limit adapters are compatible with motors.
- External RF receiver, 24VAC adapters are compatible with motors.
- Adaptable for all of various mini venetian blinds, honeycomb blinds, roman blinds.
- Single/double shaft are available for 25mm head rails.

Parameters >>

Item No	Product Name	Rated Voltage	Rated Current	Rated Torque	Rated Speed	Protection Index	Net Weight	Running Time
006005	B24	24VDC	220mA	0.6Nm	43rpm	IP40	0.11Kg	S3 30%
006006	B24	24VDC	220mA	2×0.3Nm	43 rpm	IP40	0.15Kg	S3 30%

*Remark: Single shaft motor: 006005 Double shaft motor: 006006



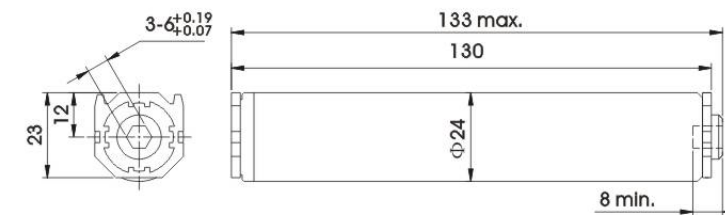
Limits >>



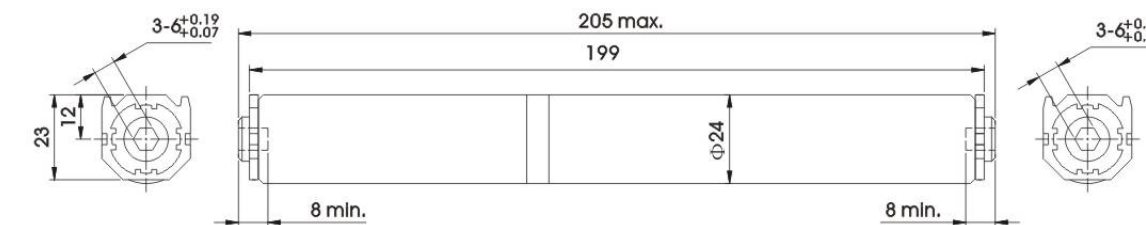
B24 mechanical limit adapter

Dimensions >>

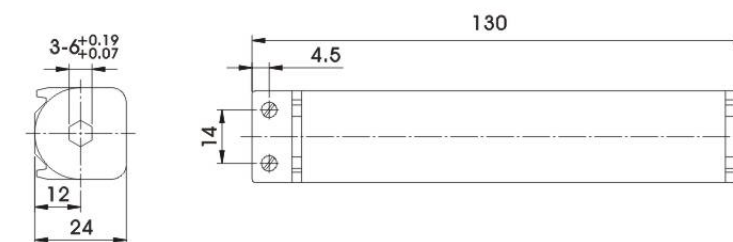
B24 (Single shaft motor)



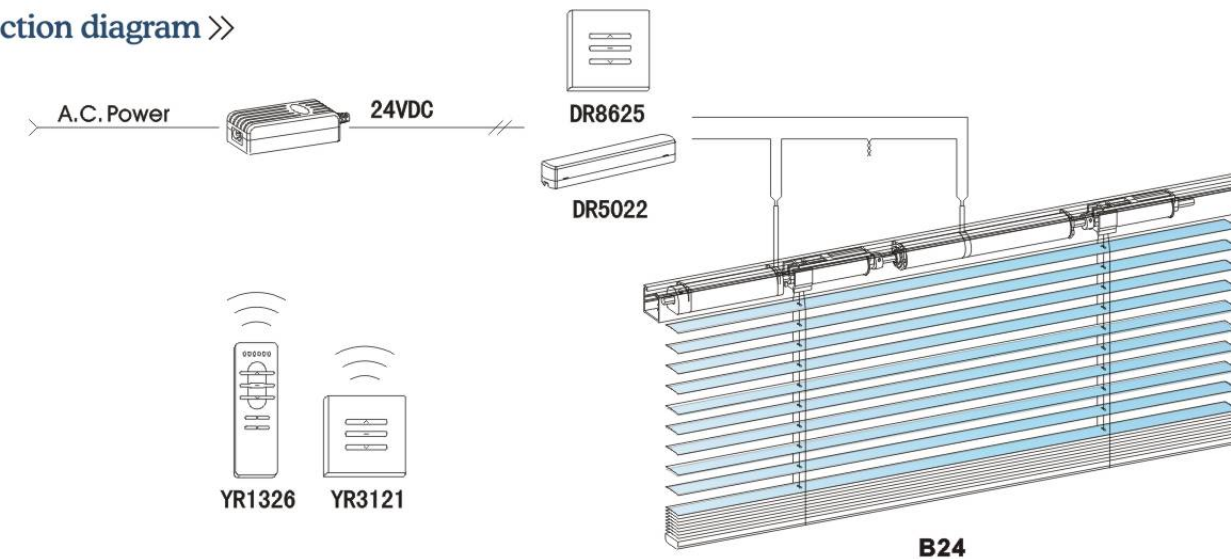
B24 (Double shaft motor)



B24 mechanical limit adapter



Connection diagram >>



Radio B24D

Features >>

Φ24mm diameter, quiet 7.4VDC battery motor.
 Built in RF receiver, electrical limit adapter, 7.4V accumulator battery and solar battery are compatible with motors
 Adaptable for all of various mini venetian blinds, honeycomb blinds, roman blinds,
 Raex patent right electronic limit is available to program the limit step by step and titling function.
 Single/double shaft are available for 25mm head rails.

Parameters >>

Item No	Product Name	Max. Input Voltage	Rated Voltage	Rated Current	Rated Torque	Rated Speed	Protection Index	Net Weight	Running Time
006011	B24D	8.4VDC	7.4VDC	460mA	0.6Nm	42rpm	IP40	0.11Kg	S3 30%
006024	B24D	8.4VDC	7.4VDC	460mA	2X0.3Nm	42rpm	IP40	0.15Kg	S3 30%

*Remark: Single shaft motor: 006011 Double shaft motor : 006024



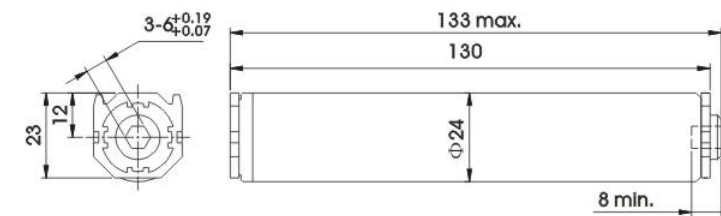
Limits >>



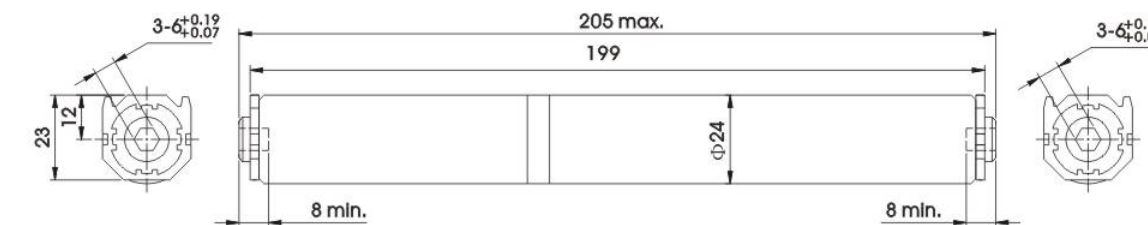
B24D electronic limit adapter

Dimensions >>

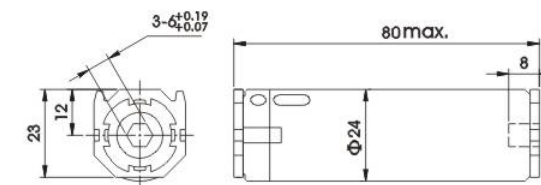
B24D (Single shaft motor)



B24D (Double shaft motor)



B24D electronic limit adapter



Connection diagram >>

