



Venetian Blind Motors

B40	35
B24 B24D	37
M850	39
M850-K	41

Standard B40

Features >>

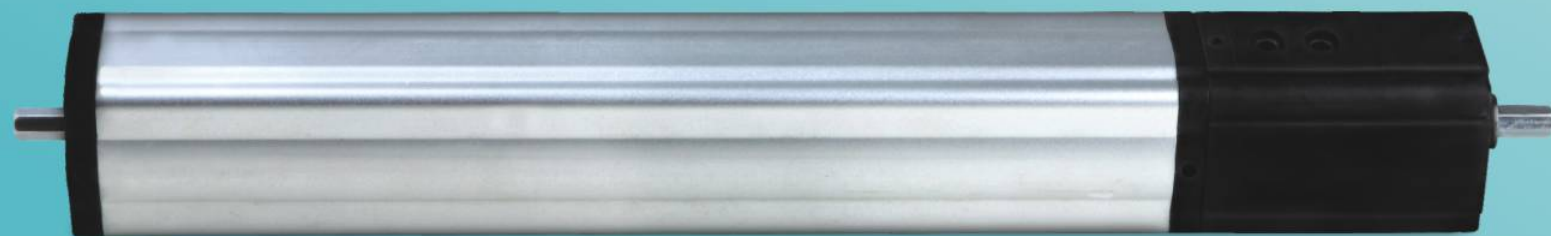
Noiseless DC24V input motor.
Stable mechanical limit system.
Adaptable for wooden venetian blinds, Roman shades ,Austria blinds.
Single/double output shaft are available for 40mm headrail, 50mm headrail.

Parameters >>

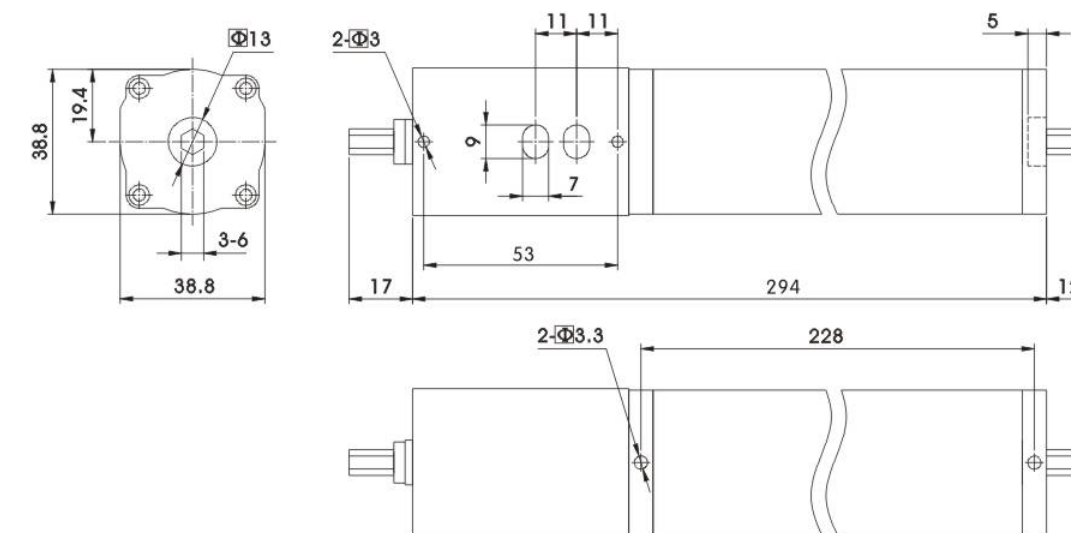
Item No	Product Name	Rated Voltage	Rated Current	Rated Torque	Rated Speed	Protection Index	Net Weight	Running Time
006201	B40	24VDC	0.48A	2×1Nm	28rpm	IP40	0.85Kg	S3 30%

Load Capacity >>

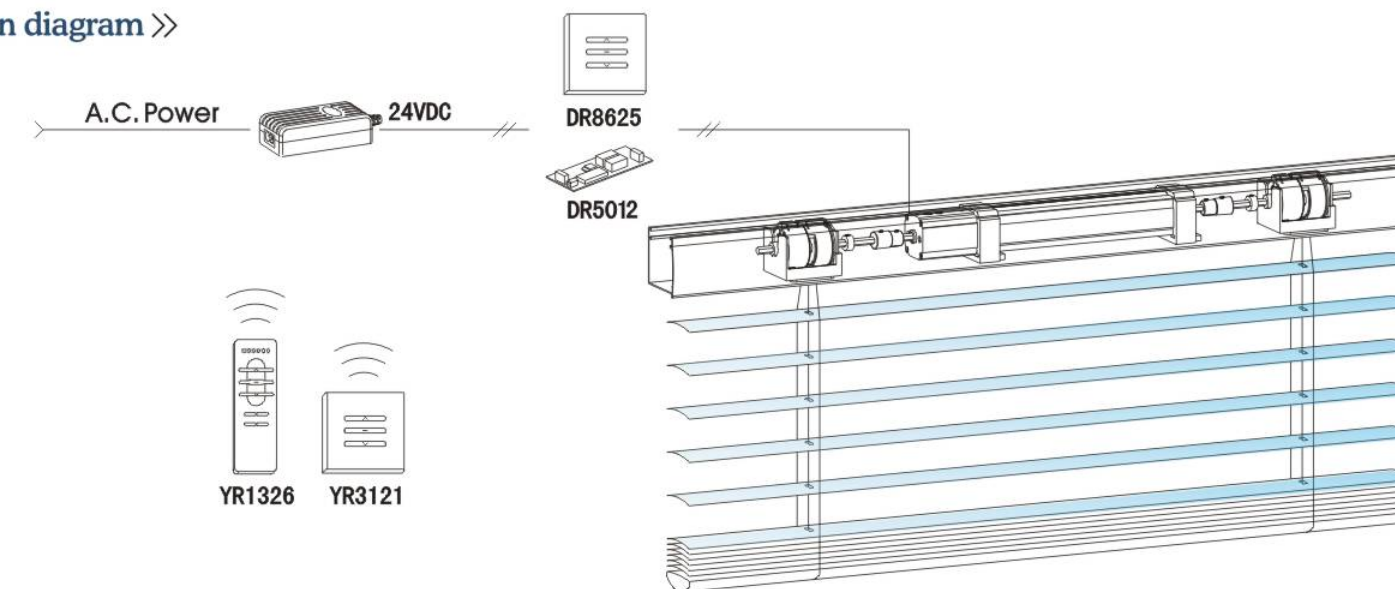
Product Name	Rated Torque	Max.width	Max.drop	Max.pulling capacity
B40	2×1Nm	4m	5m	12Kg



Dimensions >>



Connection diagram >>



Standard B24

Features >>

- Φ24mm diameter, quiet 24VDC motor.
- Mechanical limit adapters are compatible with motors.
- External RF receiver, 24VAC adapters are compatible with motors.
- Adaptable for all of various mini venetian blinds, honeycomb blinds, roman blinds.
- Single/double shaft are available for 25mm head rails.

Parameters >>

Item No	Product Name	Rated Voltage	Rated Current	Rated Torque	Rated Speed	Protection Index	Net Weight	Running Time
006005	B24	24VDC	220mA	0.6Nm	43rpm	IP40	0.11Kg	S3 30%
006006	B24	24VDC	220mA	2×0.3Nm	43 rpm	IP40	0.15Kg	S3 30%

*Remark: Single shaft motor: 006005 Double shaft motor: 006006



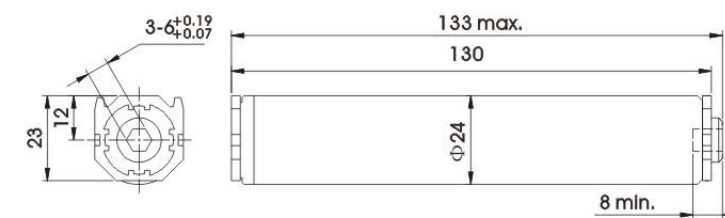
Limits >>



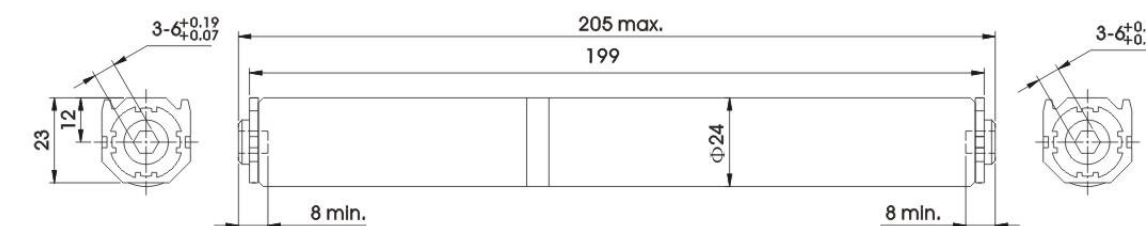
B24 mechanical limit adapter

Dimensions >>

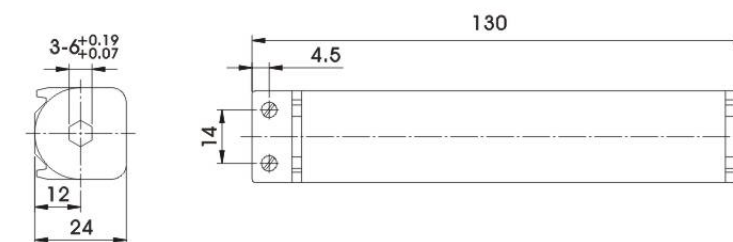
B24 (Single shaft motor)



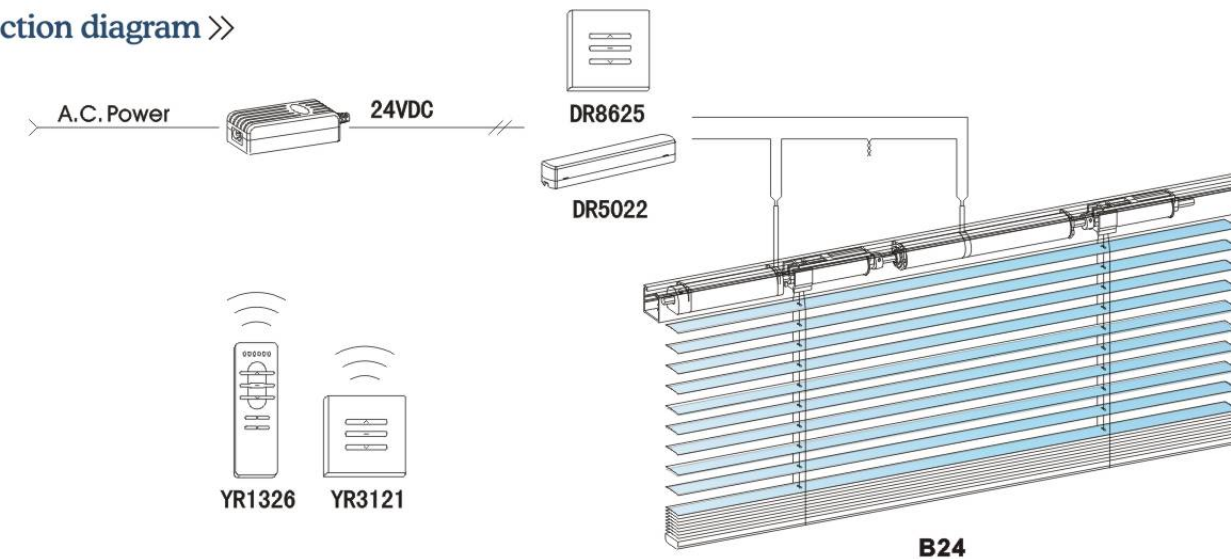
B24 (Double shaft motor)



B24 mechanical limit adapter



Connection diagram >>



Radio B24D

Features >>

Φ24mm diameter, quiet 7.4VDC battery motor.
 Built in RF receiver, electrical limit adapter, 7.4V accumulator battery and solar battery are compatible with motors
 Adaptable for all of various mini venetian blinds, honeycomb blinds, roman blinds,
 Raex patent right electronic limit is available to program the limit step by step and titling function.
 Single/double shaft are available for 25mm head rails.

Parameters >>

Item No	Product Name	Max. Input Voltage	Rated Voltage	Rated Current	Rated Torque	Rated Speed	Protection Index	Net Weight	Running Time
006011	B24D	8.4VDC	7.4VDC	460mA	0.6Nm	42rpm	IP40	0.11Kg	S3 30%
006024	B24D	8.4VDC	7.4VDC	460mA	2X0.3Nm	42rpm	IP40	0.15Kg	S3 30%

*Remark: Single shaft motor: 006011 Double shaft motor : 006024



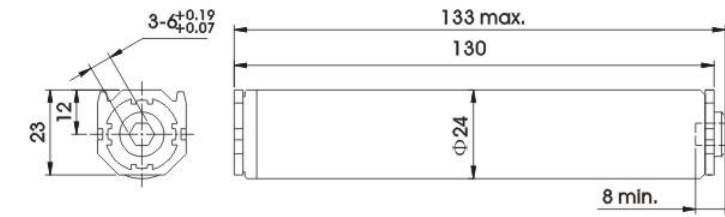
Limits >>



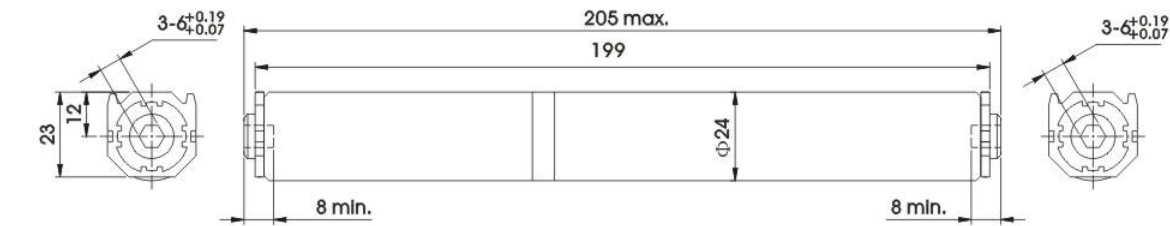
B24D electronic limit adapter

Dimensions >>

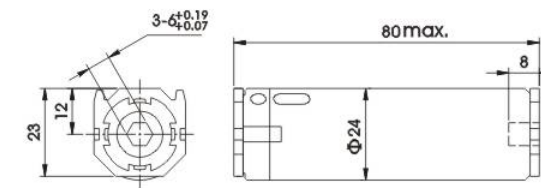
B24D (Single shaft motor)



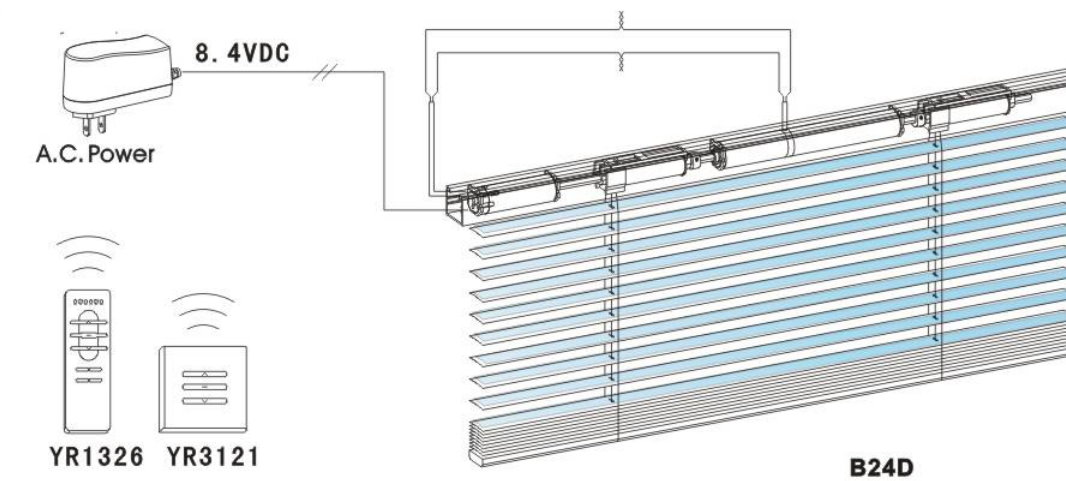
B24D (Double shaft motor)



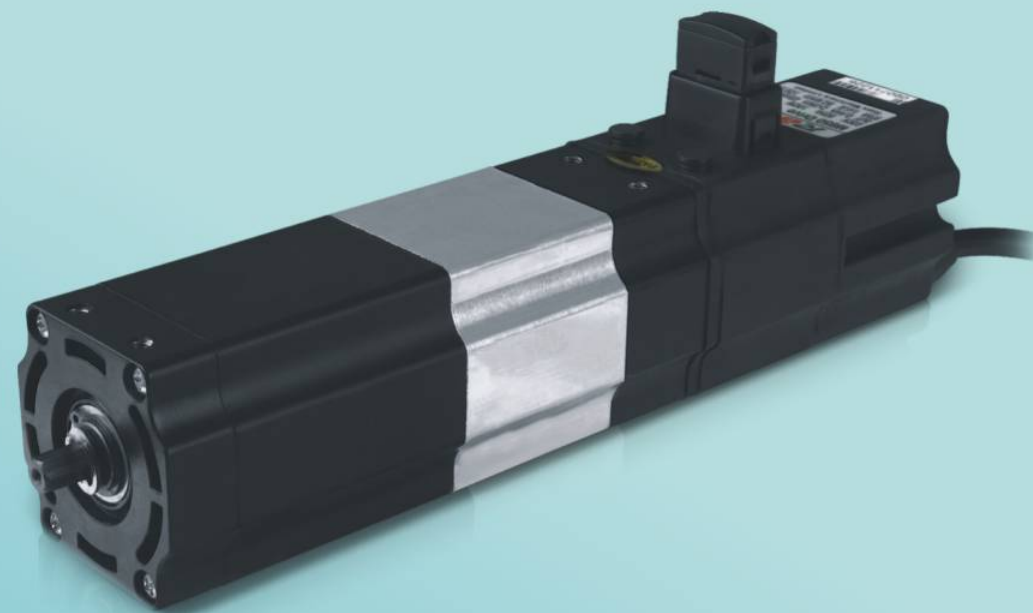
B24D electronic limit adapter



Connection diagram >>



Standard M850



Features >>

- Quiet, AC motor
- Special water proof design can protect the motor to work outdoor
- The reliable up and down limit switches operate with high precision
- Strong capacity are available for various big venetian blind systems
- Easy to install ,easy to operate

Parameters >>

230V 50Hz

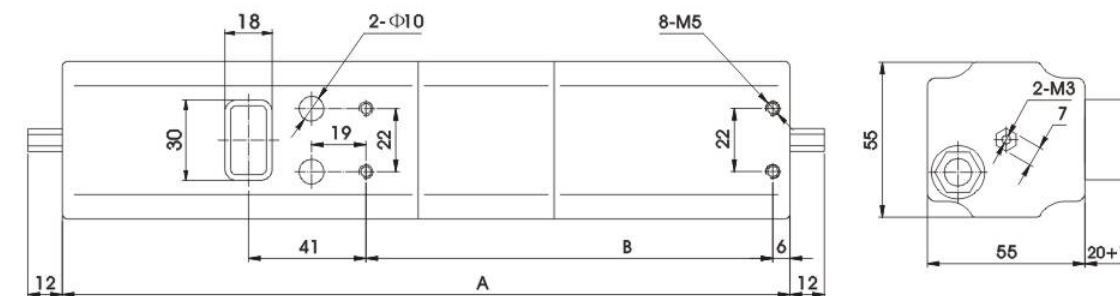
Item No	Product Name	Rated Voltage (V)	Rated Frequency (Hz)	Rated Current (A)	Rated Power (W)	Rated Torque (Nm)	Rated Speed (rpm)	Noise (dB)	Insulation class	Protection index	Running Time	Net Weight
01850404	M850	230	50	0.44	90	2×3	26	<45	E	IP54	S2 6min	1.62Kg
01850904	M851	230	50	0.61	120	2×4.5	26	<45	E	IP54	S2 6min	1.86Kg

110V 60Hz

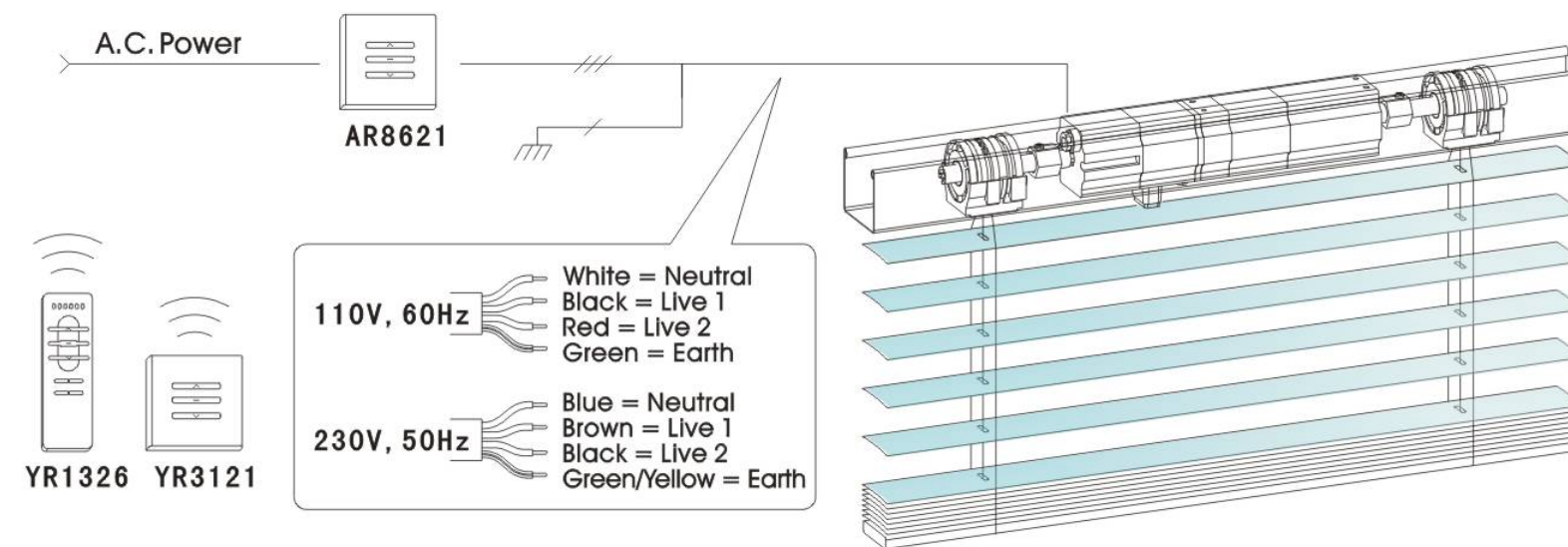
Item No	Product Name	Rated Voltage (V)	Rated Frequency (Hz)	Rated Current (A)	Rated Power (W)	Rated Torque (Nm)	Rated Speed (rpm)	Noise (dB)	Insulation class	Protection index	Running Time	Net Weight
01851405	M850	110	60	0.88	90	2×3	32	<45	E	IP54	S2 6min	1.62Kg
01850904	M851	110	60	1.22	120	2×4.5	32	<45	E	IP54	S2 6min	1.86Kg

Dimensions >>

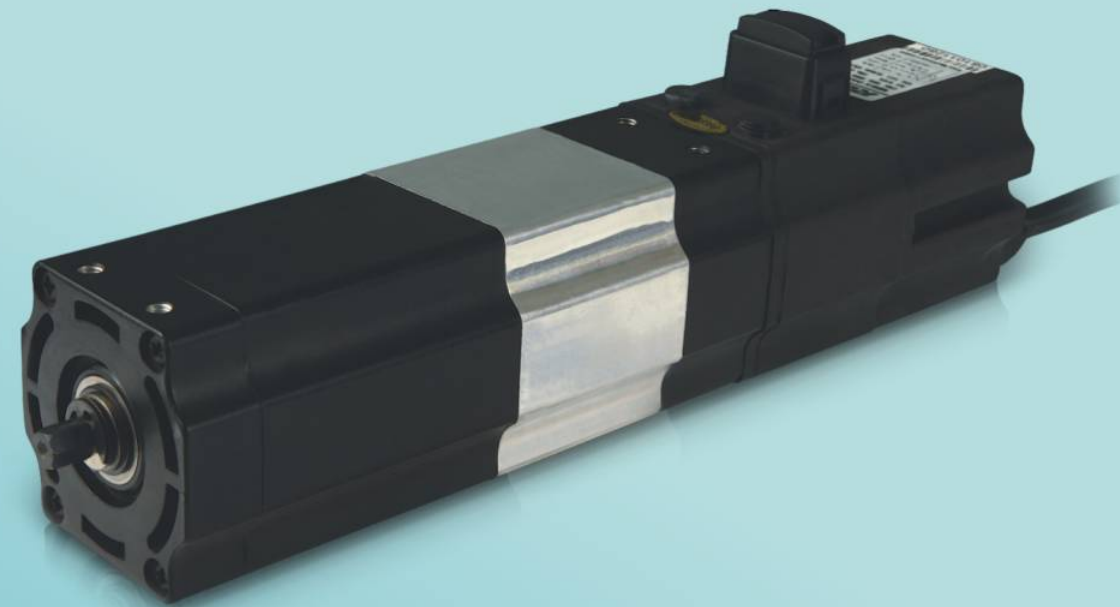
	A	B
M850	250	139
M851	263	152



Connection diagram >>



Standard M850-K



Features >>

- Quiet ,AC motor
- Special water proof design can protect the motor to work outdoor
- The reliable up and down limit switches operate with high precision
- Latching limit system is easily used for the venetian blind
- Strong capacity are available for various big venetian blind systems
- Easy to install ,easy to operate

Parameters >>

230V 50Hz

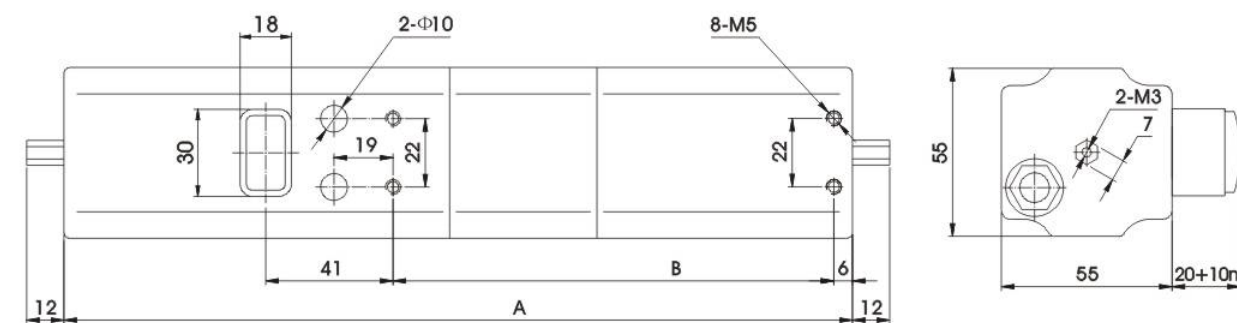
Item No	Product Name	Rated Voltage (V)	Rated Frequency (Hz)	Rated Current (A)	Rated Power (W)	Rated Torque (Nm)	Rated Speed (rpm)	Noise (dB)	Insulation class	Protection index	Running Time	Net Weight
01850104	M850-K	230	50	0.44	90	2×3	26	<45	E	IP54	S2 6min	1.65Kg
01850504	M851-K	230	50	0.61	120	2×4.5	26	<45	E	IP54	S2 6min	1.88Kg

110V 60Hz

Item No	Product Name	Rated Voltage (V)	Rated Frequency (Hz)	Rated Current (A)	Rated Power (W)	Rated Torque (Nm)	Rated Speed (rpm)	Noise (dB)	Insulation class	Protection index	Running Time	Net Weight
01850205	M850-K	110	60	0.88	90	2×3	32	<45	E	IP54	S2 6min	1.65Kg
01850605	M851-K	110	60	1.22	120	2×4.5	32	<45	E	IP54	S2 6min	1.88Kg

Dimensions >>

	A	B
M850-K	250	139
M851-K	263	152



Connection diagram >>

